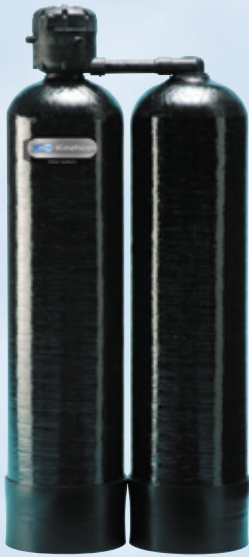


Kinetico 2080f Iron Filter with Greensand

OVERDRIVE[®]
ENHANCED

Non-Electric,
High Performance
Water Conditioning
System

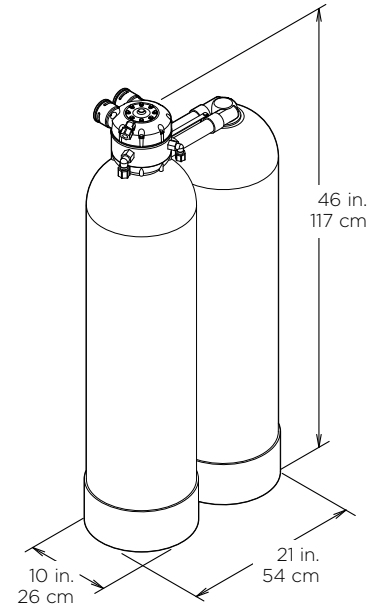


 **Kinetico**[®]
home water systems

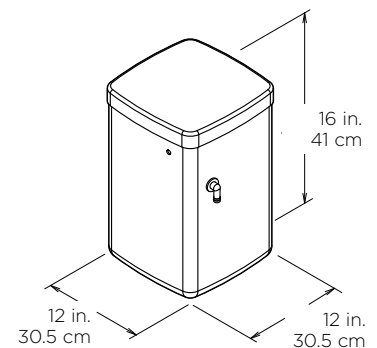
Unlimited Supply of Iron-filtered Water 24 hours a Day, Every Day
Simple, Reliable and Economical Operation
Installation and Service by Trained Water Treatment Professionals

What Makes The Kinetico Overdrive[®] Enhanced 2080f Iron Filter with Greensand Different?

1. **Non-Electric Operation.** Reliable. No timers or computers to set, adjust, repair or replace.
2. **Metered, Demand Service.** Unlimited supply of fresh, odor-free water. Eliminates guesswork, water and regenerant waste, and odor breakthrough.
3. **Twin Tank System.** Unlimited supply of clean, filtered water. Enables system to regenerate with clean, filtered water.
4. **Overdrive Enhanced.** All tanks are in service simultaneously. Increases performance, efficiency, flow rate and media life (when applicable).
5. **Large Porting Size.** Perfectly suited for larger plumbing found in many homes. Up to 1½ inch.
6. **Greensand Filtration Media.** Extremely effective in removing iron, manganese and hydrogen sulfide from water.
7. **Corrosion-Resistant Valve and Tanks.** Long lasting. Can endure harsh environments.
8. **Clean Water, Countercurrent Regeneration.** Increases product efficiency and water quality.
9. **Automatic Operation.** Just add regenerant.
10. **Outstanding Warranty.** Dependability, peace of mind.



Regenerant Tank:



Independent Laboratory Certification

Kinetico products are tested and certified by Independent Laboratories such as WQA. For specific claims refer to performance data sheets or consult your local Kinetico Dealer.

