

Kinetico 2060f Sulfur Guard System

Non-Electric,
High Performance
Water Conditioning
System



 **Kinetico**[®]
home water systems

Unlimited Supply of Sulfur-free Water 24 Hours
a Day, Every Day

Simple, Reliable and Economical Operation

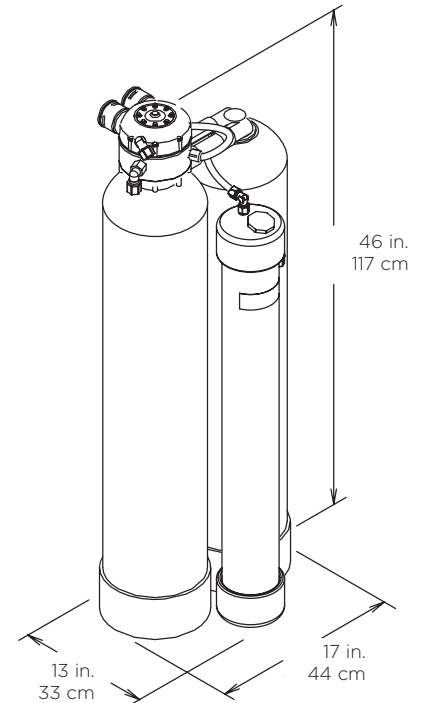
Installation and Service by Trained Water
Treatment Professionals

OVERDRIVE[®]
ENHANCED

What Makes The Kinetico Overdrive Enhanced 2060f Sulfur Guard System Different?

1. **Non-Electric Operation.** Reliable. No timers or computers to set, adjust, repair or replace.
2. **Metered, Demand Service.** Unlimited supply of fresh, odor-free water. Eliminates guesswork, water and regenerant waste, and odor breakthrough.
3. **Twin Tank System.** Unlimited supply of clean, filtered water. Enables system to regenerate with clean, filtered water.
4. **Overdrive Enhanced.** All tanks are in service simultaneously. Increases performance, efficiency, flow rate and media life.
5. **Large Porting Size.** Perfectly suited for larger plumbing found in many homes. Up to 1-1/2 inch.
6. **Exclusive Sulfaban™ Media.** Extremely effective at removing hydrogen sulfide from water.
7. **Effective Sulfur-Odor Removal.** Uses Sulfaban media to eliminate the rotten-egg odor caused by hydrogen sulfide gas in your water. Makes water usable again.
8. **Simple Maintenance.** Uses either inexpensive household bleach or hydrogen peroxide to clean Sulfaban media. Clean water rinses regenerant from system. No other maintenance required.
9. **Corrosion-Resistant Valve and Tanks.** Long lasting. Can endure harsh environments.
10. **Clean Water, Countercurrent Regeneration.** Increases product efficiency and water quality.
11. **Automatic Operation.** Just add regenerant.
12. **Outstanding Warranty.** Dependability, peace of mind.

NOTE: The Kinetico 2060f Sulfur Guard System is designed to operate with water that contains less than 1 grain per gallon hardness, less than 0.3 ppm iron and a maximum pH of 9.5. Conditions that exceed these levels will require pretreatment.



Regenerant Tank Options:

