



CHLORAMINE REDUCING SYSTEM CRS 1060 / CRS 1100

Non-Electric, High Performance
Water Conditioning System

- Effective Whole-House Chloramine Reducing System with Upflow Filtration
- High-Capacity Chloraban™ Media
- Can Be Installed Alone or with Other Kinetico Water Treatment Systems
- Simple, Reliable and Economical Operation
- Installation and Service by Trained Water Treatment Professionals





What makes a Kinetico Chloramine Reduction/Softener Combination System different?

Combine a Kinetico Chloramine Reduction System with a Kinetico Water Softener for the ultimate in whole-home water treatment.

Flexible System: The CRS 1060 or 1100 can be installed alone for chloramine reduction only, or with a Kinetico Water Softening System. Offers a continuous supply of dechloraminated, soft water. Enables system to regenerate with dechloraminated, soft water.

Non-Electric Operation: Reliable. No timers or computers to set, adjust, repair or replace.

Efficient Chloramine Reduction: For use on any water supply where chloramine reduction is desired. Special media adsorbs objectionable tastes and odors from chloraminated water. Eliminates drying of hair and skin from chloramine. Reduces deterioration of rubber seals in fixtures and appliances.

Exclusive Chloraban™ Media: Extremely effective at reducing chloramine from water.

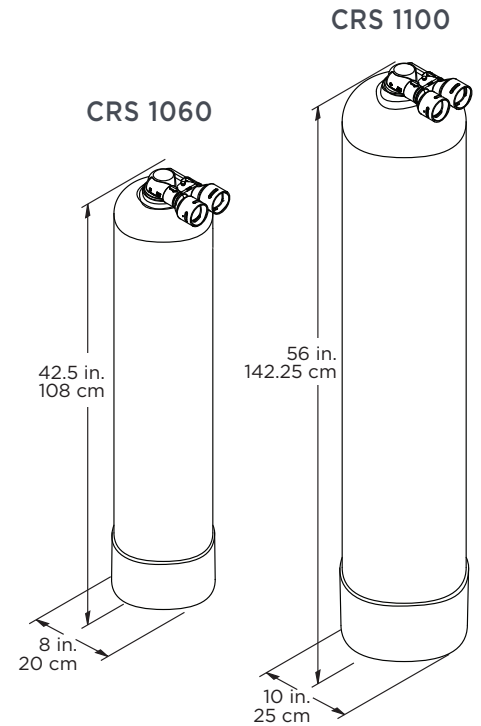
Continuous Conditioned Water: Assures consistent and continuous chloramine-reduced water. Protects skin and hair, clothing, plumbing and appliances.

Efficient Use of Water: No water consumption required to reduce chloramine.

Corrosion-Resistant Valve and Tanks: Long Lasting. Can endure harsh environments.

Automatic Operation: Just replace the media when capacity is reached, typically at least one year for a water supply with average chloramination.

Outstanding Warranty: Dependability, peace of mind.



Kinetico CRS 1100 Chloramine Combination



Independent Laboratory Certification

The CRS 1060 and CRS 1100 systems have been tested and certified by the Water Quality Association (WQA) according to NSF/ANSI 42 for the reduction of chloramine. It has also been certified to NSF/ANSI 61, Drinking Water System Components—Health Effects and NSF/ANSI 372, Drinking Water System—Lead Content and the CSA Standard B483.1—Drinking Water Treatment Systems.

www.kinetico.com

©2021 Kinetico Incorporated

Part No. 14425E Rev. 05/2021